



ACHSANBAU (10 x 8 x 10)
AXLE ATTACHMENT (10 x 8 x 10)

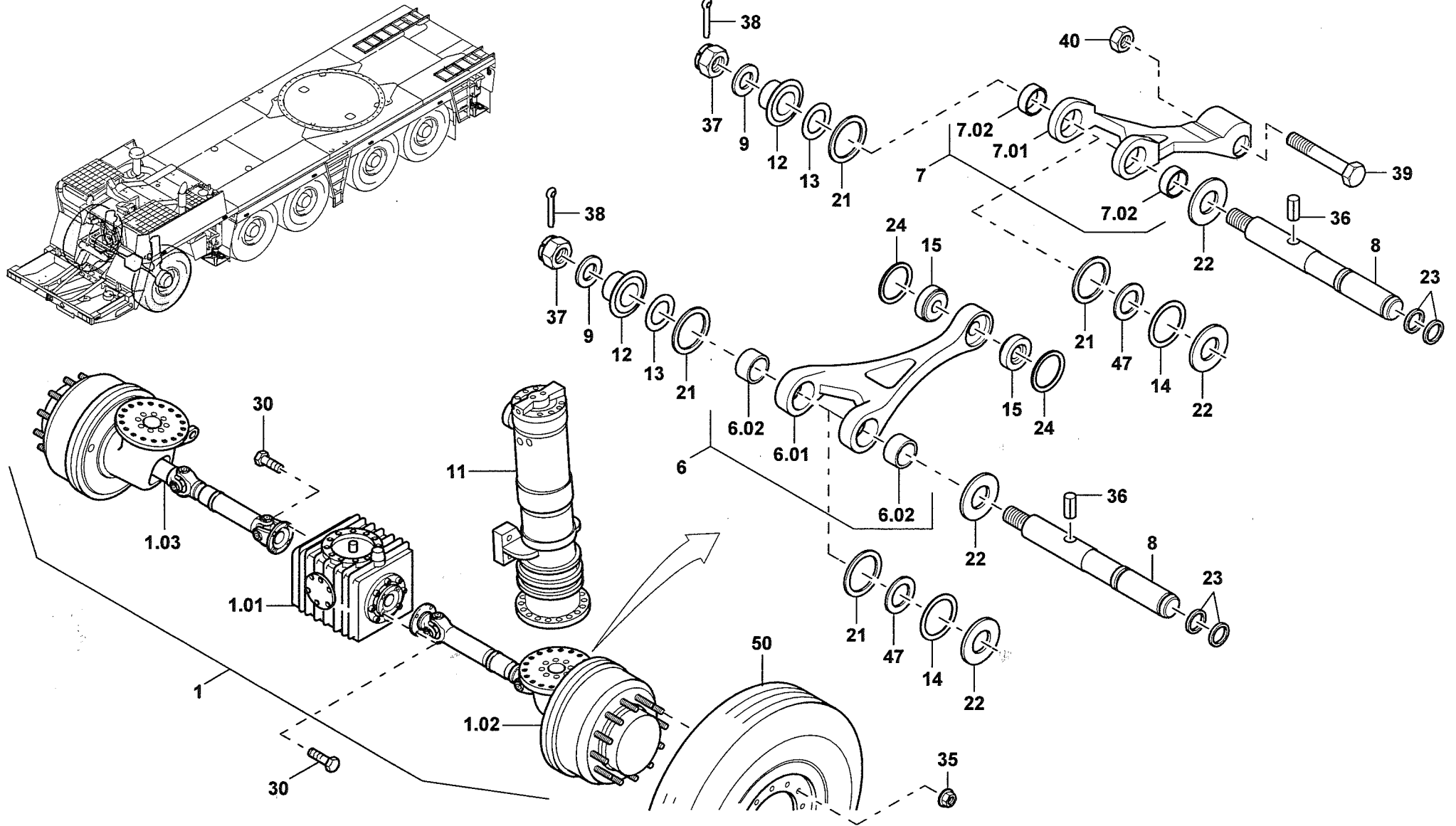
BILDТАФЕЛ
PICTORIAL DISPLAY

GMK 5180
BE 511
G 061

02.00

3008674-ETL E

1/10





ACHSANBAU (10 x 8 x 10)
AXLE ATTACHMENT (10 x 8 x 10)

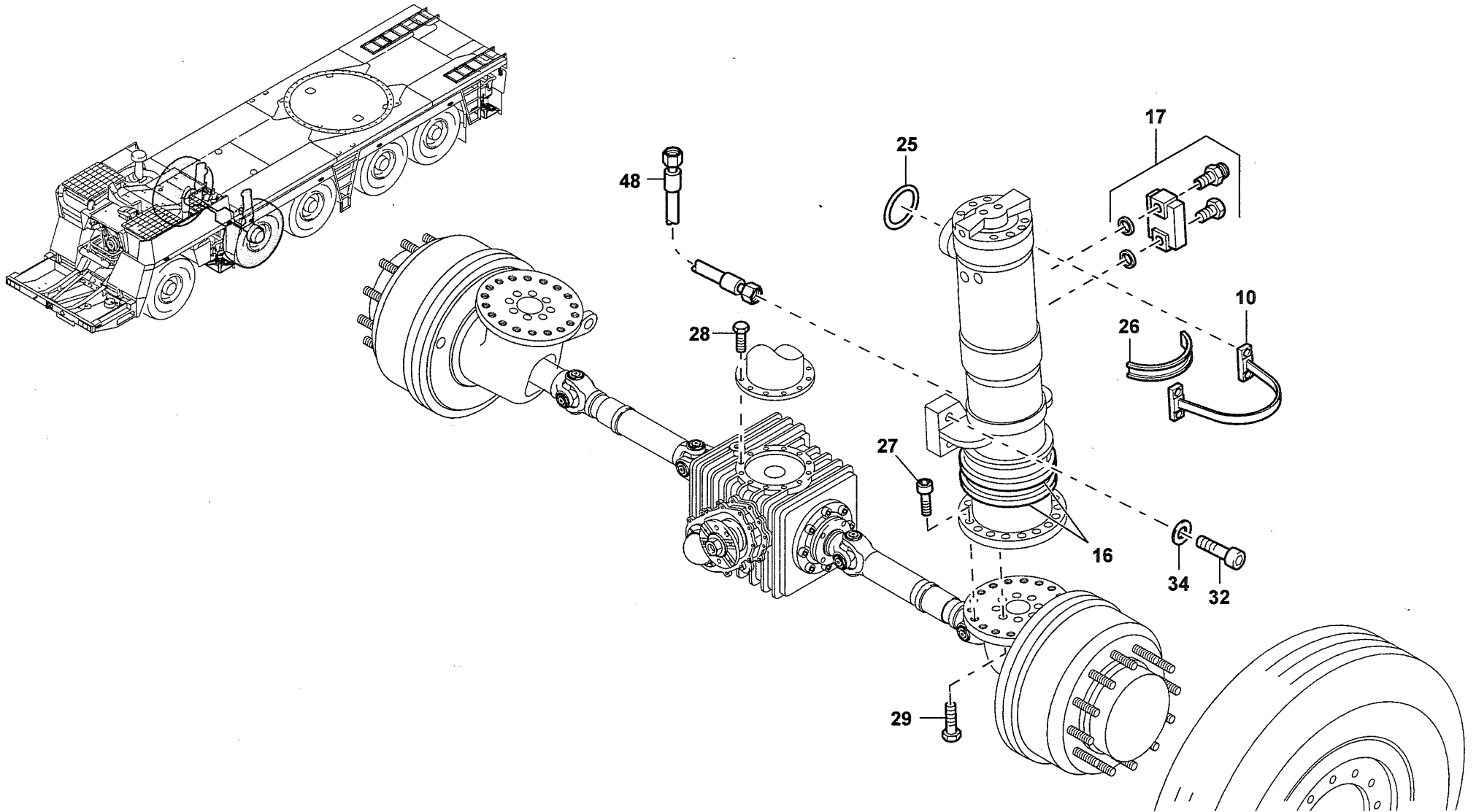
BILDТАФЕЛ
PICTORIAL DISPLAY

GMK 5180
BE 511
G 061

02.00

3008674-ETL E

4/10





ACHSANBAU (10 x 8 x 10)
AXLE ATTACHMENT (10 x 8 x 10)

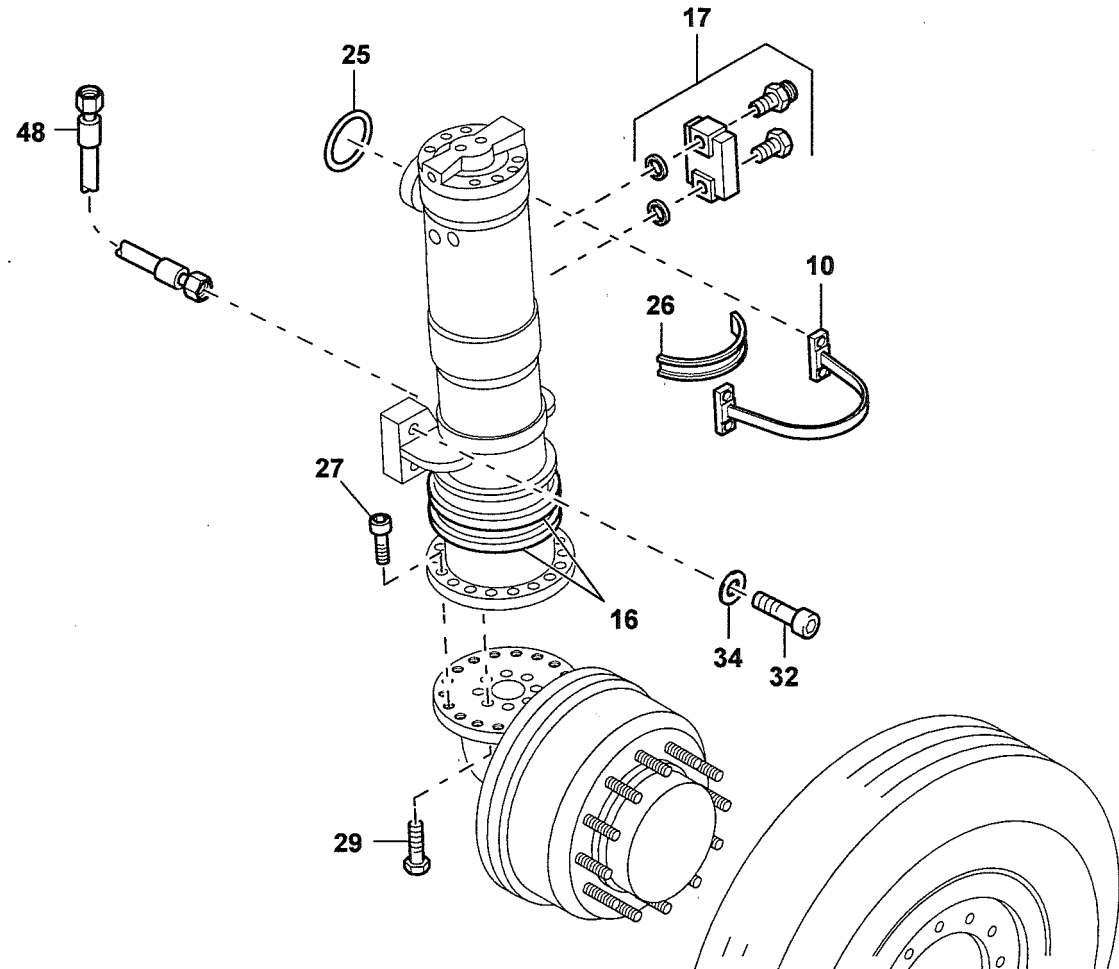
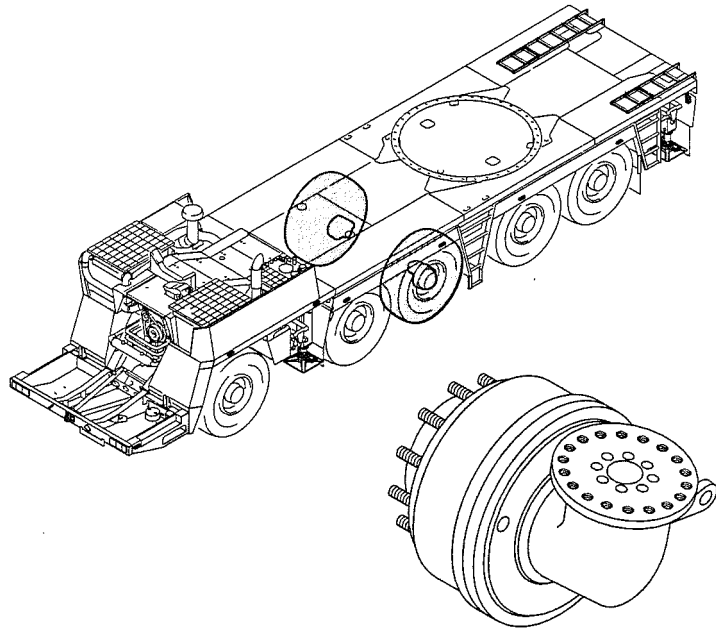
BILDTAFEL
PICTORIAL DISPLAY

GMK 5180
BE 511
G 061

02.00

3008674-ETL E

6/10





ACHSANBAU (10 x 8 x 10)
AXLE ATTACHMENT (10 x 8 x 10)

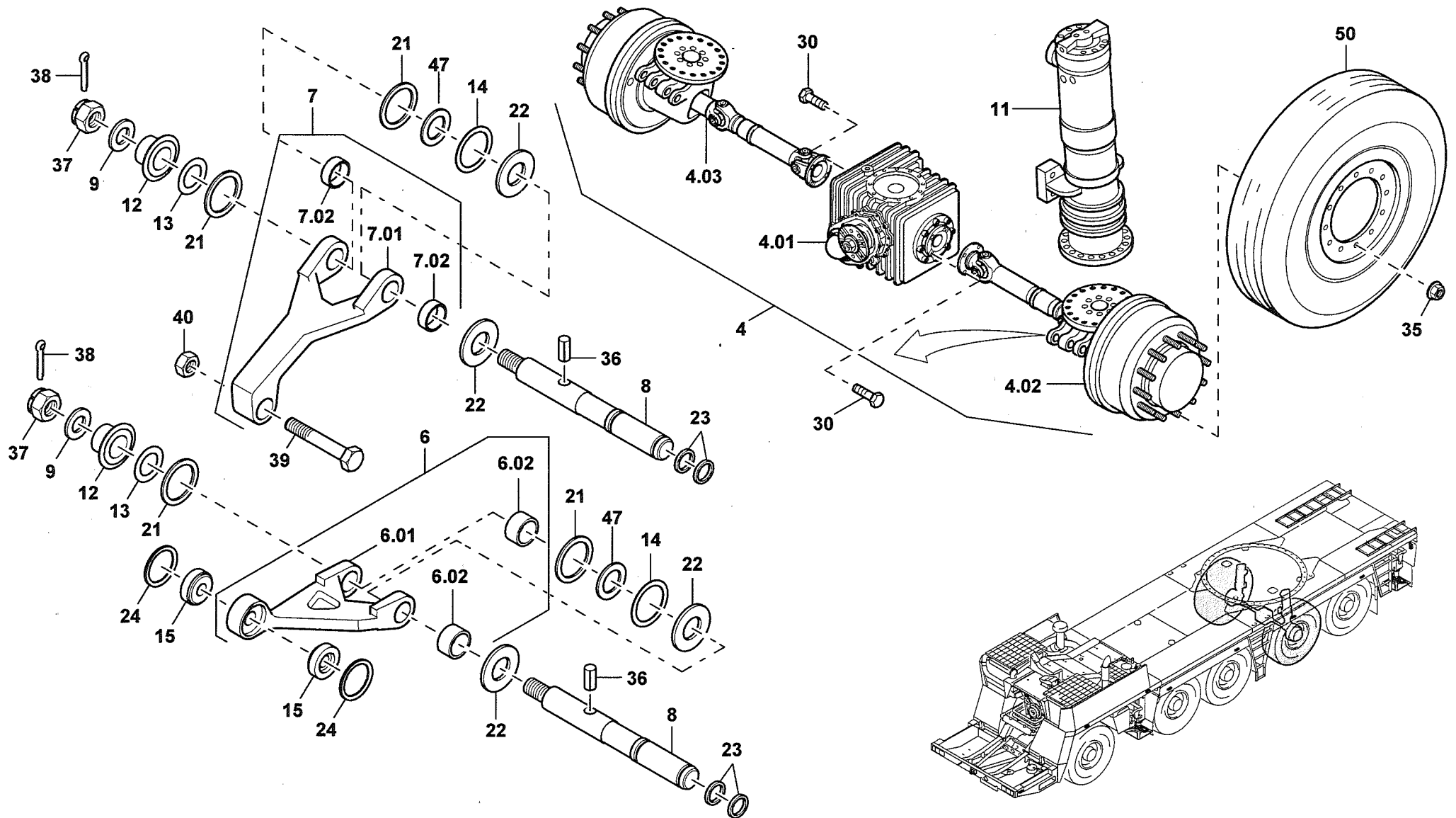
BILDTAFEL
PICTORIAL DISPLAY

02.00

3008674-ETL E

7/10

GMK 5180
BE 511
G 061





ACHSANBAU (10 x 8 x 10)
AXLE ATTACHMENT (10 x 8 x 10)

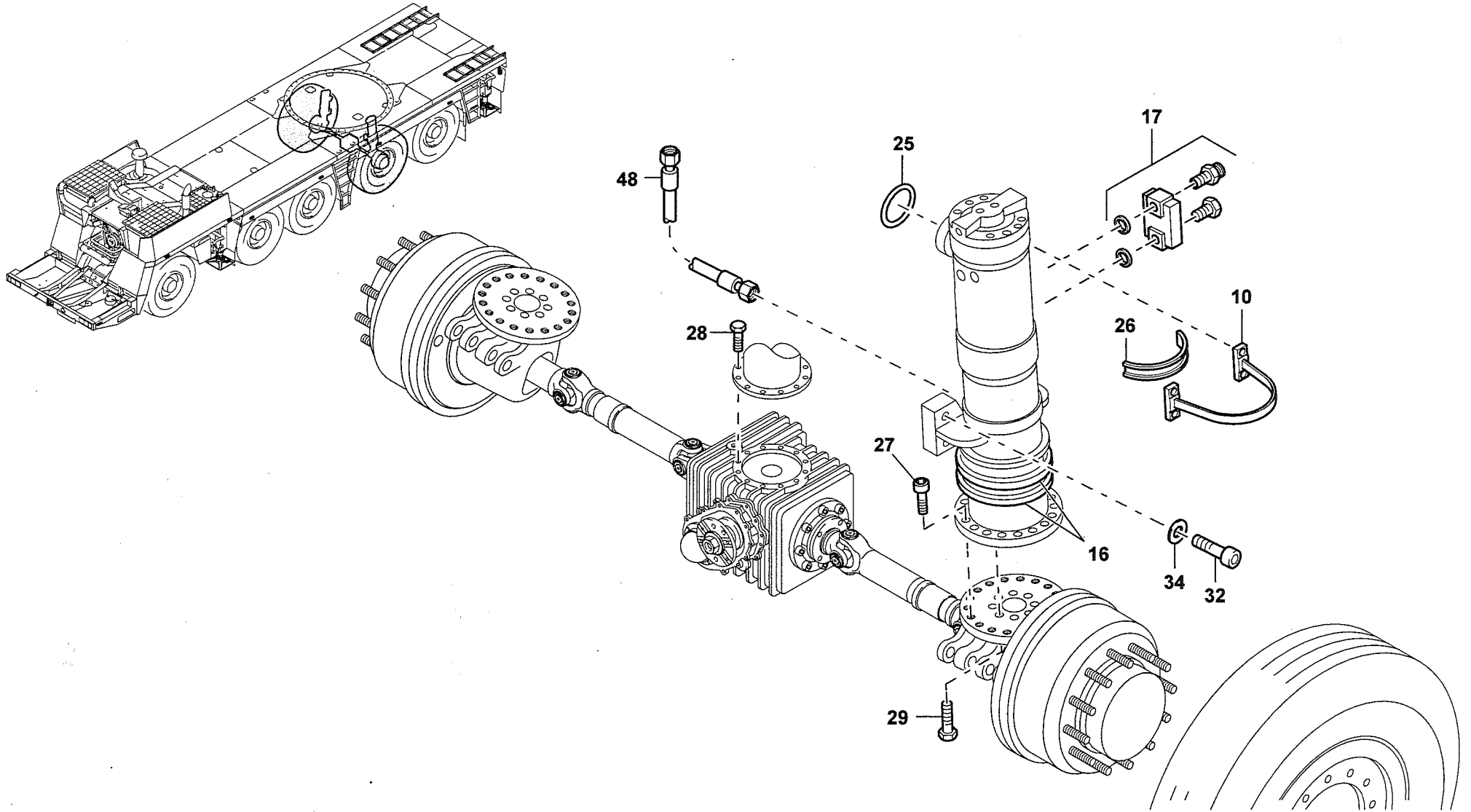
BILDTADEL
PICTORIAL DISPLAY

02.00

3008674-ETL E

8/10

GMK 5180
BE 511
G 061





ACHSANBAU (10 x 8 x 10)
AXLE ATTACHMENT (10 x 8 x 10)

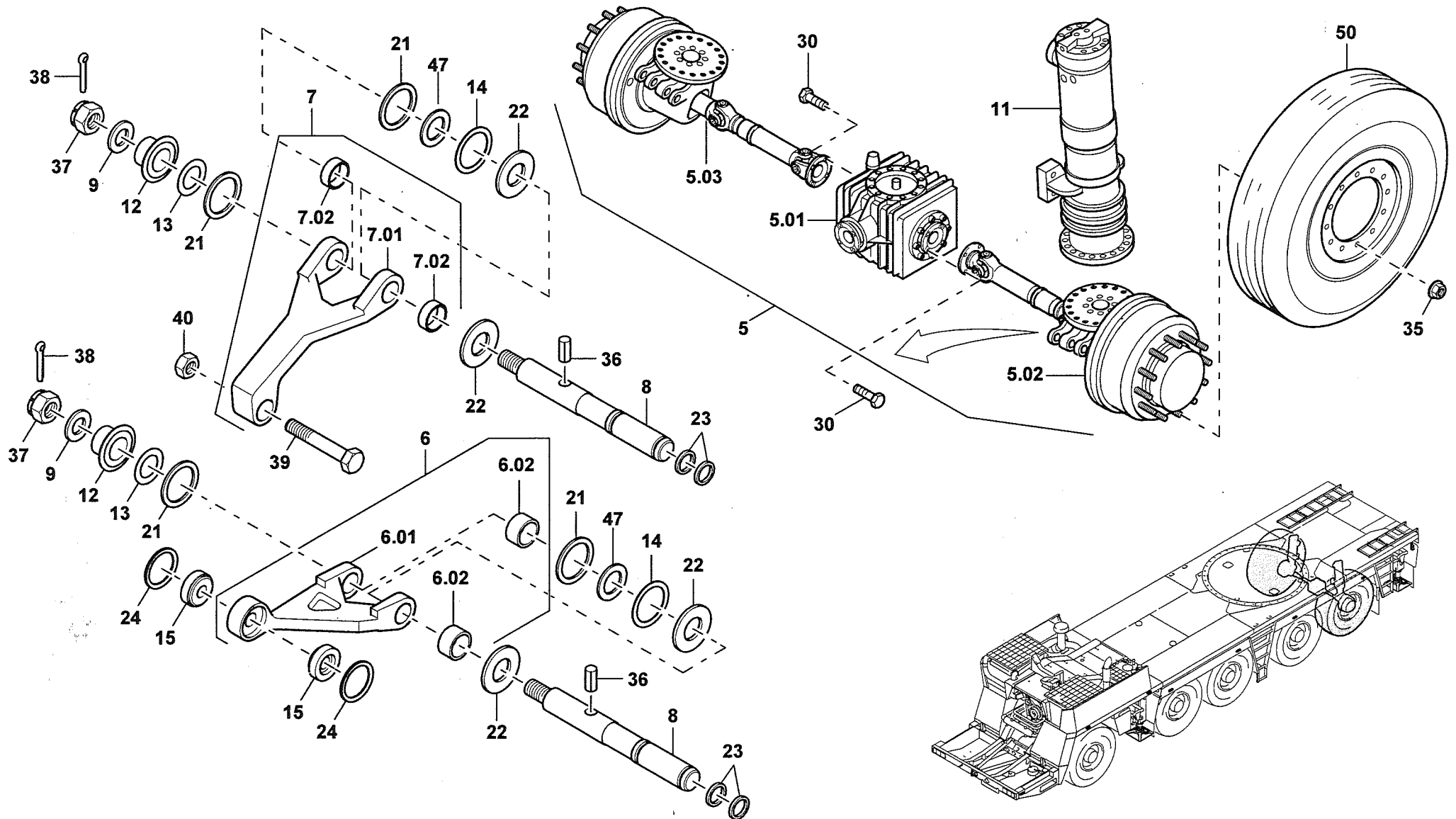
BILDТАФЕЛ
PICTORIAL DISPLAY

02.00

3008674-ETL E

9/10

GMK 5180
BE 511
G 061





ACHSANBAU (10 x 8 x 10)
AXLE ATTACHMENT (10 x 8 x 10)

BILDTAFEL
PICTORIAL DISPLAY

GMK 5180
BE 511
G 061

02.00

3008674-ETL E

10/10

